

» PUMPING THE TOUGH STUFF – EFFORTLESSLY

The HOMA TP submersible wastewater pump range

» Series TP28 - TP70

60 Hz

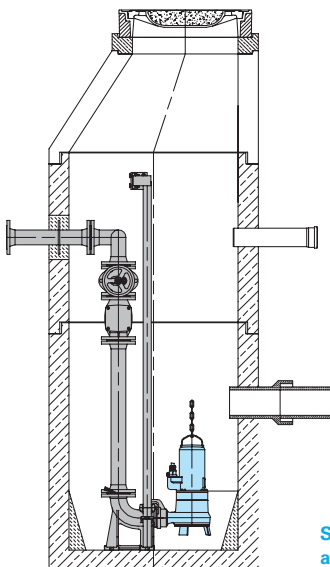


HOMA
P U M P T E C H N O L O G Y



» ENGINEERED TO PERFORM. BUILT TO LAST.

When it comes to handling wastewater, drainage water, or sludge, you need pumps that deliver - without compromise. Even under extreme conditions. That's exactly what the TP series from HOMA is made for: robust, durable, and powerful performance you can rely on. Designed to handle fluids with solid content, the TP range combines proven HOMA quality with the flexibility to adapt to a wide variety of applications. Multiple configuration options allow for tailored solutions to meet specific system requirements.



Sump pit installation with automatic coupling system

» WHERE PERFORMANCE MEETS ENDURANCE

The Professional Choice for Wastewater Applications

HOMA's TP submersible pumps are the go-to solution for municipal, commercial, and industrial wastewater systems. Whether you need a compact unit for drainage or a durable high-performance pump for sewage and sludge transport, the TP series offers a broad range of performance options.

Discharge sizes range from G1 1/2 on the compact TP28 to G3 on the high-capacity TP70. The lower models (TP28–TP50) are ideal for domestic drainage and light wastewater, while pumps

from TP53 upwards are also suitable for conveying wastewater containing faecal matter. Depending on the model, soft solids can be handled up to 28 mm in diameter (TP28) and up to 70 mm in the larger models such as the TP70.

At the core of every TP pump is a rugged, wear-resistant design made from high-quality materials. Whether equipped with vortex or single-channel impellers, each pump is optimized for reliable solids handling and long service life, even in harsh operating environments.

All models feature integrated thermal motor protection, and explosion-proof versions (FM) are optionally available from the TP30 series onwards. TP pumps can be installed either as a stationary wet well with auto-coupling kit or as portable units on support feet, with optional float switches for automatic operation.

From wastewater treatment plants and pumping stations to industrial processing systems – the TP series stands for efficiency, longevity, and dependable performance day after day.

AT A GLANCE: TP SERIES HIGHLIGHTS

- » Discharge sizes: from G1 1/2 (TP28) up to G3 (TP70)
- » Media compatibility: drainage water (TP28–TP50), faecal matter (TP53 and above)
- » Solids handling: up to 28 mm (TP28), up to 70 mm (TP70)
- » Impeller types: vortex or single-channel, designed for safe solids transport
- » Explosion-proof motor options: FM available from TP30 and upwards
- » From larger motor sizes: with double mechanical seal
- » Installation types: stationary wet-well with guide rail system or portable on support feet
- » Automation: optional float switch for automatic operation
- » Motor voltages: Single-phase: 115 V / 200 V / 230 V - Three-phase: 200 V / 230 V / 380 V / 400 / 460 V / 575 V



TECHNICAL DATA TP28 - TP70

Pump type	Motor power P1 (kW)	Motor power P2 (kW)	Voltage (V)	Hmax (m)	Qmax (m³/h)	Discharge connector	Weight (kg)
TP28 Pumps for wastewater containing solids up to 28 mm							
TP28M13/2/1 (FM)	1,0	0,7	1PH-230	13,7	21,8	G1 1/2	14
TP28M13/2/3 (FM)	1,0	0,7	3PH-230/380/400/460	13,7	22,0	G1 1/2	20
TP28V16/2/1 (FM)	1,3	0,8	1PH-230	8,2	27,2	G1 1/2	14
TP28V16/2/3 (FM)	1,3	0,8	3PH-230/380/400/460	8,2	27,2	G1 1/2	20
TP30 Pumps for wastewater containing solids up to 30 mm							
TP30M24/2/1 (FM)	1,7	1,4	1PH-230	20,0	21,1	G2	32
TP30M24/2/3 (FM)	1,8	1,4	3PH-230/380/400/460	19,5	69,0	G2	32
TP30V16/2/1 (FM)	1,2	0,9	1PH-230	7,8	28,8	G2	30
TP30V16/2/3 (FM)	1,2	0,9	3PH-230/380/400/460	7,8	29,4	G2	28
TP30V24/2/1 (FM)	1,7	1,4	1PH-230	9,8	33,6	G2	31
TP30V24/2/3 (FM)	1,8	1,4	3PH-230/380/400/460	12,0	38,2	G2	28
TP50 Pumps for wastewater containing solids up to 50 mm							
TP49V24/2/1 (FM)	1,7	1,3	1PH-230	9,5	34,2	G2	24
TP50M16/2/1 (FM)	1,2	0,9	1PH-230	9,3	38,4	G2 1/2	33
TP50M16/2/3 (FM)	1,2	0,9	3PH-230/380/400/460	9,5	40,2	G2 1/2	31
TP50M23/4/3 (I/C) (FM)	1,5	1,1	3PH-230/380/400/460	11,1	63,9	G2 1/2	47
TP50M24/2/1 (FM)	1,7	1,4	1PH-230	11,5	49,8	G2 1/2	34
TP50M24H/2/3 (FM)	1,8	1,4	3PH-230/380/400/460	17,0	29,5	G2 1/2	31
TP50M24L/2/3 (FM)	1,8	1,4	3PH-230/380/400/460	13,4	55,8	G2 1/2	34
TP50M38H/2/3 (FM)	2,8	2,3	3PH-230/380/400/460	24,0	31,2	G2 1/2	46
TP50M38L/2/3 (FM)	2,8	2,3	3PH-230/380/400/460	20,0	72,9	G2 1/2	46
TP50M54H/2/3 (I/C) (FM)	4,0	3,4	3PH-230/380/400/460	30,0	35,4	G2 1/2	52
TP50M54L/2/3 (I/C) (FM)	4,0	3,4	3PH-230/380/400/460	26,0	72,9	G2 1/2	52
TP50M80H/2/3 (I/C)	6,0	5,1	3PH-230/380/400/460	44,0	34,0	G2 1/2	61
TP50M80L/2/3 (I/C)	6,0	5,1	3PH-230/380/400/460	37,4	53,0	G2 1/2	61
TP50V24/2/1 (FM)	1,7	1,3	1PH-230	6,8	33,8	G2 1/2	26
TP50V24/2/3 (FM)	1,8	1,4	3PH-230/380/400/460	8,8	27,0	G2 1/2	31
TP50V54L/2/3 (I/C) (FM)	4,0	3,4	3PH-230/380/400/460	16,8	52,9	G2 1/2	45
TP50V54N/2/1 (FM)	4,0	3,2	1PH-230	17,0	42,5	G2 1/2	45
TP50V54N/2/3 (I/C) (FM)	4,0	3,4	3PH-230/380/400/460	19,0	37,1	G2 1/2	45
TP53 Pumps for wastewater containing solids up to 50 mm							
TP53M24/2/1 (FM)	1,7	1,4	1PH-230	11,0	49,8	G3	33
TP53M24H/2/3 (FM)	1,8	1,4	3PH-230/380/400/460	17,0	29,5	G3	33
TP53M38H/2/1 (FM)	2,5	1,9	1PH-230	20,0	43,2	G3	46
TP53M38H/2/3 (FM)	2,8	2,3	3PH-230/380/400/460	24,0	31,2	G3	46
TP53M38L/2/3 (FM)	2,8	2,3	3PH-230/380/400/460	20,0	72,9	G3	46
TP53M54H/2/3 (I/C) (FM)	4,0	3,4	3PH-230/380/400/460	30,0	35,4	G3	47
TP53M54L/2/3 (I/C) (FM)	4,0	3,4	3PH-230/380/400/460	26,0	72,9	G3	53
TP53V24/2/1 (FM)	1,7	1,4	1PH-230	6,8	36,0	G3	33
TP53V24/4/3 (I/C) (FM)	1,7	1,3	3PH-230/380/400/460	11,0	33,1	G3	46
TP53V54L/2/3 (I/C) (FM)	4,0	3,4	3PH-230/380/400/460	16,8	52,9	G3	48
TP70 Pumps for wastewater containing solids up to 70 mm							
TP70M20/4/1 (FM)	1,6	1,1	1PH-230	8,5	70,9	G3	45
TP70M20/4/3 (I/C) (FM)	1,5	1,1	3PH-230/380/400/460	7,6	38,8	G3	45
TP70V20/4/1 (I/C) (FM)	1,6	1,1	1PH-230	9,1	46,8	G3	40

Version FM: explosion proof motor | Version I/C: with seal probe in oil chamber
 Materials: Pump housing, motor housing and Impeller: Cast iron GG25 / Motor shaft: stainless steel 1.4104

HOMA Pumpenfabrik GmbH

Industriestraße 1 ▶ 53819 Neunkirchen-Seelscheid

Telefon: +49 (0) 2247 702- 0

E-Mail: info@homa-pumpen.de ▶ Internet: www.homa-pumpen.de

