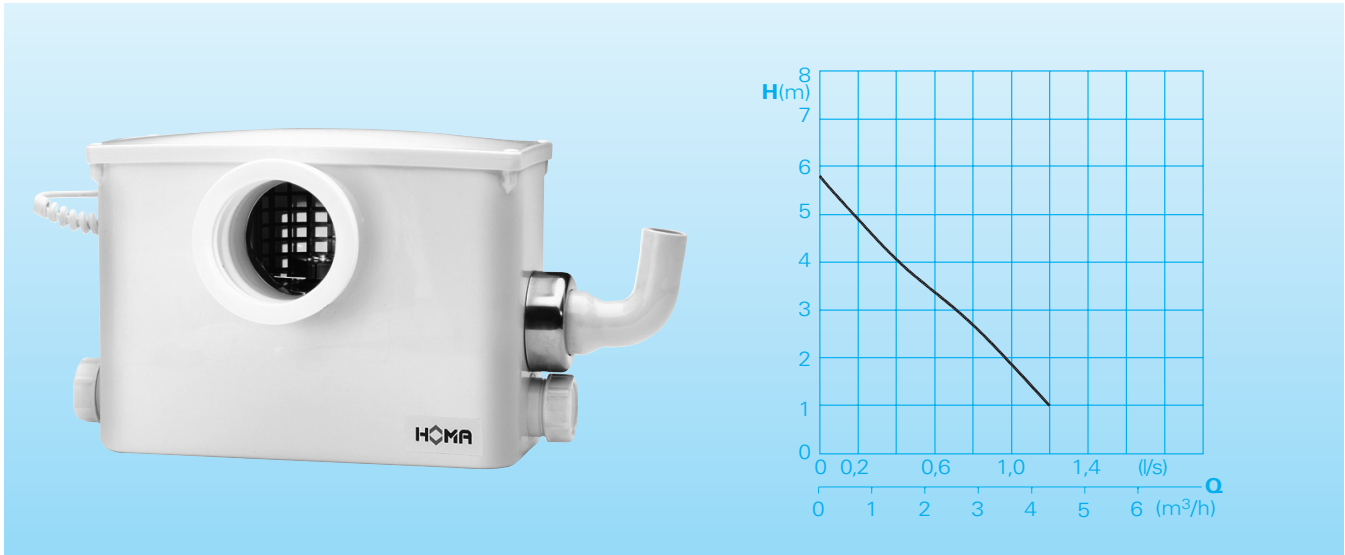


WC disposal unit with cutter pump

Sanifox

Conveying capacities



Application

Compact disposal unit for sanitary installations comprising a single WC, hand basin, shower and bidet in basement apartments or cellars below sewer backflow level. The Sanifox is also the ideal solution for subsequent installation of sanitary facilities corresponding DIN EN 12050-3.

The stainless steel cutter of the built-in pump reliably shreds feces and toilet paper. Therefore, a diameter from 1" is sufficient for the pressure line to the nearest wastewater pipe. This means little effort even for retrofitting, e.g. in old buildings. The direct WC connection allows installation behind the toilet with minimal space requirements.

DIN EN 12050-3: Design tested and monitored.

Pumped medium: Drainage water and feces. Max. temperature of pumped medium: 35°C, for brief periods up to 60°C.

Operating mode: Intermittent operation.

Design

Compact waste water disposal unit ready for connection, consisting of:

Collection tank: Odour-tight plastic collection tank. Maximum utility volume 11,5 liter. WC-inlet DN 100 horizontal, inlet height 180 mm (DIN 1387 Form A / DIN 1388 Form A). Two lateral inlets DN 40 with integrated non-return valve. Discharge Ø 25 mm with integrated non-return valve.

Air vent with activated carbon filter.

Pump: Single stage centrifugal pump with horizontal discharge. Open multi-blade impeller with cutter system for the comminution of solids

Motor: Single phase electric motor. Thermal sensor for temperature monitoring in the winding. Insulation class B. Protection rating IP 68. Stainless steel motor shaft, prelubricated bearings, double mechanical seal.

Pump Operation Control: Water level dependent, pneumatic level control.

Materials

Collection tank	Plastic (ABS)
Pump housing	Plastic (PA) glass fiber reinforced
Impeller	Plastic (POM)
Motor housing, cutting unit, motor shaft	Stainless steel 1.4301

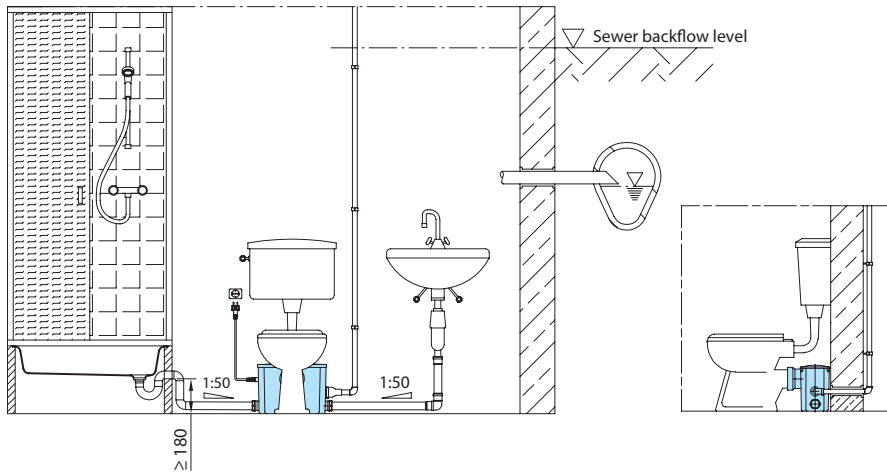
Technical data

Motor input P ₁	500 W
Motor input P ₂	300 W
Voltage	230V/1Ph 50Hz
Rotational speed	2900 rpm
Nominal current	2,1 A
Connecting cable	H 03VVF3x0,75
Protection rating (complete appliance)	IP 44
Weight	8 kg
Discharge	Ø 25 mm

Scope of supply

Tank with pump, 1,4 m of connecting cable with plug.

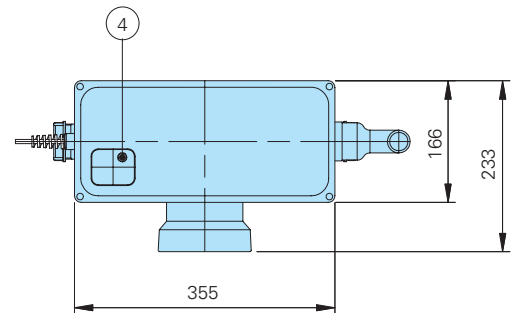
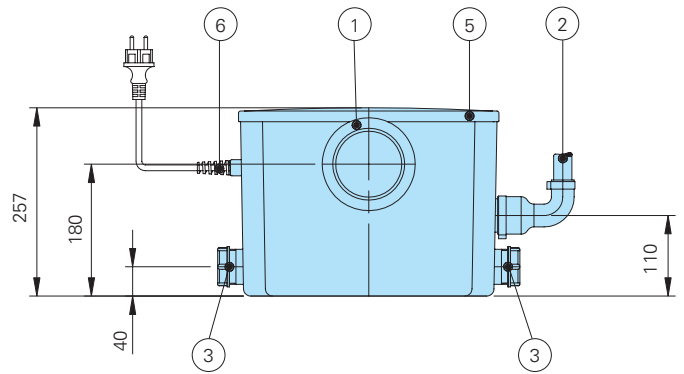
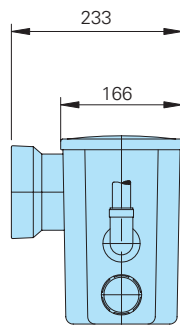
Installation example



Accessories

Description	Size	Part no.
Shut-off gate valve, brass	BSP 1" F	2216010
	BSP 1¼" F	2216012
	BSP 1½" F	2216015
Bend 90°, galvanized	BSP 1" F/M	2111305
	BSP 1¼" F/M	2111405
	BSP 1½" F/M	2111505
Transition screw connection, galvanized	BSP 1" M/F	2114303
	BSP 1¼" M/F	2114304
	BSP 1½" M/F	2114305
Alarm device AL3 with water level sensor for the collecting tank		1586146

Dimensions (all dimensions in mm)



- ① Connection for universal flat flush WC, DIN1387, Form A
Connection for universal low flush WC, DIN1388, Form A
- ② Connection for discharge Ø25
- ③ Screw connection for inlet DN40 (Ø40)
- ④ Ventilation and deaeration with activated carbon filter
- ⑤ Tank cover (screwed)
- ⑥ Cable inlet



We reserve the right to alter our specifications without notice!