

**Floodable sewage disposal unit with cutting pumps**

**Saniboy G, Sanimaster G**



**Application**

HOMA Saniboy G and Sanimaster G are compact sewage disposal units. They are suitable for pumping sewage and waste water from toilets, hand basins, showers and rooms which are below the sewer level according to DIN EN 12056 or in areas of low population or under difficult topographic conditions where small dimensioned discharge pipes are required. With the advantage of using discharge pipes either DN 40 or DN 50 diameter the construction work and the cost are lower in respect to the conventional discharge pipes. They are suitable as a single pump station (Saniboy G) or as a twin pump station (Sanimaster G) with standby pump. **DIN EN 12050-1:** Design tested and monitored.

**Pumped medium:** Clean water and waste water with solid and fibrous content and feces.

Max. temperature of pumped medium: 35°C, for brief periods up to 60°C.

**Operating mode:** Intermittent operation.

**Design**

Flood protected single or twin pump lifting station consisting of:

**Collection tank:** Odour and gas- tight plastic collecting tank.

Inlets:

- DN 100/DN 40 graduated horizontal (optional with 180 mm or 250 mm height)
  - DN 100/DN 40 graduated vertical
- Air vent union: DN 70 vertical.  
 Connection for diaphragm pump: BSP 1" F.

Cleaning cover with screw cap.

**Pump:** Single stage centrifugal pump with horizontal discharge. Open multi-blade impeller with upstream cutting device for breaking up solids. Sanimaster G with 2 pumps. Discharge: BSP1 1/2.

**Motor:** Fully submersible motor, sealed against pressurized water, single phase or three phase version, thermal sensor for temperature monitoring in the winding. Insulation class H, protection rating IP 68.

**Shaft/bearing:** Chrome steel motor shaft, prelubricated bearings.

**Seal:** Model GRP 16 with combination of mechanical seal (silicon carbide) and lip seal in oil chamber. Model GRP 26 with 2 mechanical seals (silicon-carbide) in oil chamber.

Oil control possible from the outside.

**Materials**

|                                       |  |
|---------------------------------------|--|
| Collection tank                       | Plastic                                |
| Motor housing, pump housing, impeller | Cast iron<br>EN-GJL250                 |
| Cutting system                        | Stainless steel<br>1.4122<br>50-55 HRC |
| Motor shaft, screws                   | Stainless steel                        |
| Elastomers                            | NBR                                    |

**Scope of supply**

Tank with 1 pump (Saniboy G) or 2 pumps (Sanimaster G), Discharge with Bend 90° BSP1 1/2.  
 Elastic union piece for inlet DN 100 and air vent DN 70 with bands. Pneumatic level control. Electronic control box with cable and plug.  
 (1-Ph) or CEE-plug 16 A (3-Ph).

## Control box

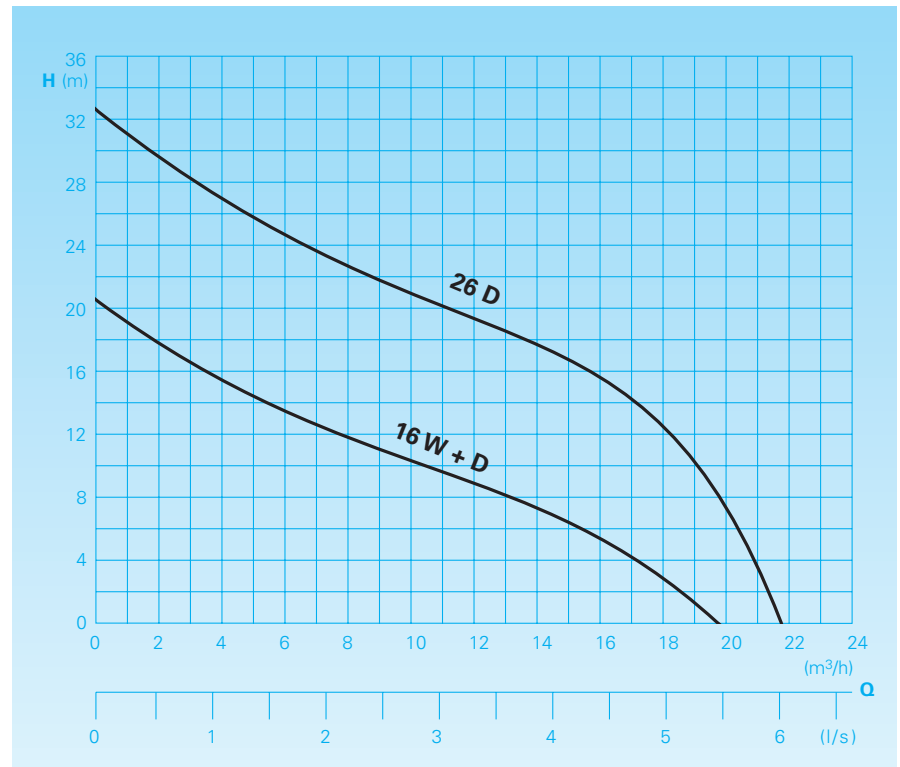
Pneumatic level control with pressure control. Electronic control box for control and monitoring all important functions with advice of any problems. Motor protection with temperature control of the winding. Optical indication for unit failure. Alarm signal through integral buzzer.

Volt free contact for remote signal. Control indication for direction of rotation. Motor over run period which prevents sewage build up and blockage.

Easy conversion to mains independent alarm through installing a 9,0 V battery (see accessories). Additionally for twin pump station Sanimaster: Auto-change over after each pump cycle. Operation of second pump by high flow. In the event of failure one pump automatically changes to the second pump.



## Conveying capacities



## Technical data

**Saniboy G:** Single pump station | **Sanimaster G:** Twin pump station

| Pump type<br>Sanistar | Motor input         |                     | Voltage<br>50 Hz (V) | Rotational<br>speed (rpm) | Nominal<br>current (A) | Weight<br>(kg) |
|-----------------------|---------------------|---------------------|----------------------|---------------------------|------------------------|----------------|
|                       | P <sub>1</sub> (kW) | P <sub>2</sub> (kW) |                      |                           |                        |                |
| <b>Saniboy G</b>      |                     |                     |                      |                           |                        |                |
| 180- 16 W*            | 1,5                 | 1,1                 | 230/1Ph              | 2900                      | 7,5                    | 37             |
| 250- 16 W*            |                     |                     |                      |                           |                        |                |
| 180- 16 D*            | 1,3                 | 0,9                 | 400/3Ph              | 2900                      | 2,5                    | 37             |
| 250- 16 D*            |                     |                     |                      |                           |                        |                |
| 180- 26 D*            | 2,5                 | 1,9                 | 400/3Ph              | 2900                      | 4,4                    | 51             |
| 250- 26 D*            |                     |                     |                      |                           |                        |                |
| <b>Sanimaster G</b>   |                     |                     |                      |                           |                        |                |
| 180- 16 W*            | 1,5                 | 1,1                 | 230/1Ph              | 2900                      | 7,5                    | 62             |
| 250- 16 W*            |                     |                     |                      |                           |                        |                |
| 180- 16 D*            | 1,3                 | 0,9                 | 400/3Ph              | 2900                      | 2,5                    | 62             |
| 250- 16 D*            |                     |                     |                      |                           |                        |                |
| 180- 26 D*            | 2,5                 | 1,9                 | 400/3Ph              | 2900                      | 4,4                    | 89             |
| 250- 26 D*            |                     |                     |                      |                           |                        |                |

\* Height to main horizontal inlet in mm | Performance data for each pump

**Inlets:** DN 100 / DN 40 (2x) | **Discharge:** BSP1 1/2

**Air vent:** DN 70 | Connection for diaphragm pump BSP1" F



### Collection tank

|                  |        |        |
|------------------|--------|--------|
| Inlets heights   | 180 mm | 250 mm |
| Total volume     | 46 l   | 46 l   |
| Operating volume | 31 l   | 31 l   |

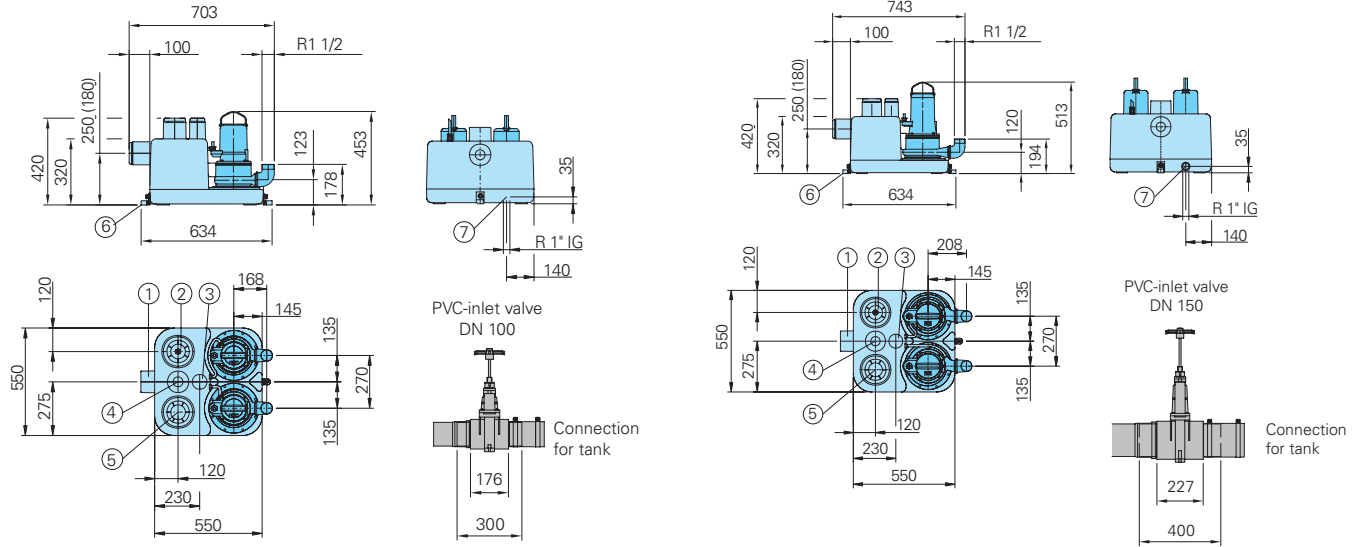
### Connecting cable

|                  | Type           | Length |
|------------------|----------------|--------|
| Unit control box | H07RN8-F 6G1,5 | 4 m    |
| Control box plug | H07RN8-F 5G1,5 | 0,8 m  |

**Dimensions** (all dimensions in mm)

Saniboy G... - 16 W+D  
Sanimaster G... - 16 W+D

Saniboy G... - 26 W+D  
Sanimaster G... - 26 W+D

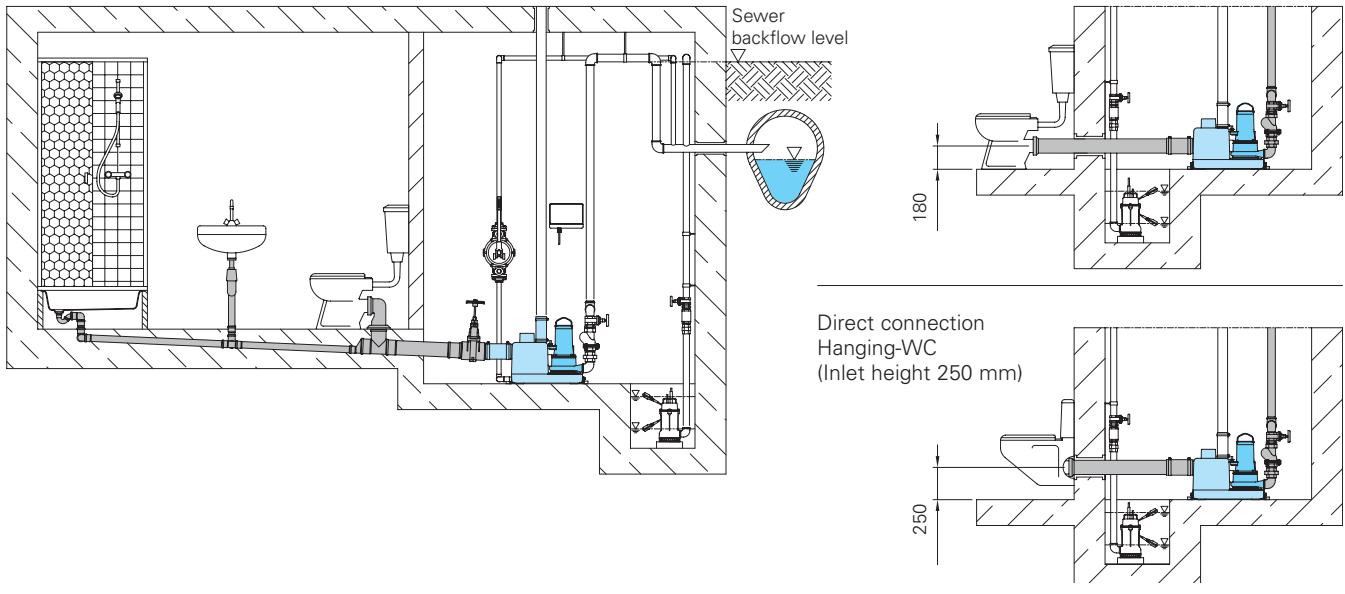


- ① Horizontal inlet DN 100 / DN 40
- ② Connection for pneumatic level control
- ③ Air vent DN 70
- ④ Vertical inlet DN 100 / DN 40
- ⑤ Cleaning cover
- ⑥ Tank fixing point
- ⑦ Connection for diaphragm pump

**Installation example**

Horizontal main inlet

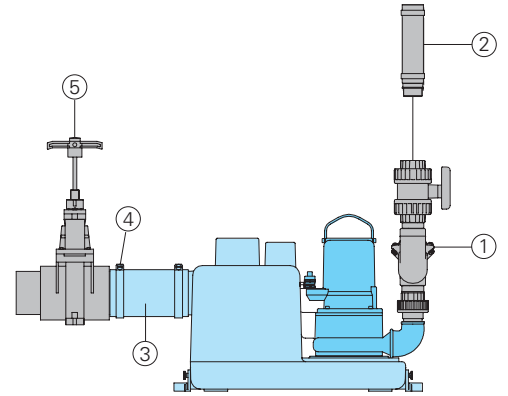
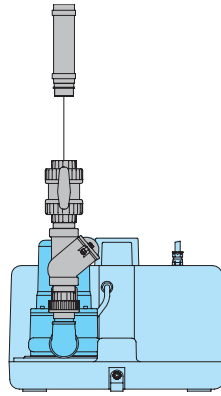
Direct connection  
Euro-WC  
(Inlet height 180 mm)



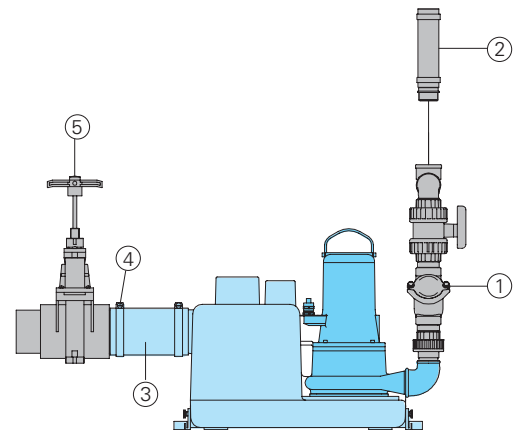
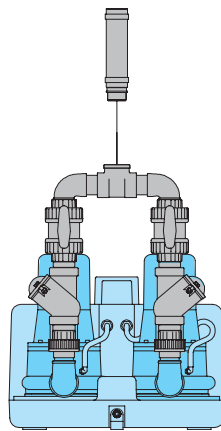
## Accessories

| Description   | Size          | Part no.              |
|---|---------------|-----------------------|
| ① Accessories-Kit<br>Pressure pipe<br>KIT SBG 180/250<br>consisting of ball<br>valve, ball non-return<br>valve, screw<br>connection | BSP 1 1/2"    | 8609021               |
| ① Accessories-Kit<br>Pressure pipe<br>KIT SMG 180/250<br>consisting of ball<br>valve, ball non-return<br>valve, screw<br>connection | BSP 1<br>1/2" | 8609022               |
| ② Accessories-Kit<br>Elastic union piece<br>KIT SBG/SMG<br>180/250 D50  |               | 8609024               |
| ③ Elastic union piece<br>with hose clamps   | DN 100        | in scope<br>of supply |
|   | DN 150        | 2159542               |
| ④ Hose clamp  | S114/20       | 2311520               |
| ⑤ PVC inlet valve   | DN 100        | 2214110               |
|   | DN 150        | 2214160               |
| ○ Diaphragm pump  | BSP 1" F      | 8502445               |
| ○ Battery 9 V for<br>mains independent<br>alarm   |               | 1952214               |

### Saniboy G



### Sanimaster G



We reserve the right to alter our specifications without notice!