

Submersible drainage pumps jacket cooled for clear water drainage water.

H 501 - H 511

Application

HOMA H 501 – H 511 are wear resistant submersible drainage pumps for pumping clear water or drainage water with abrasive sand or mud additives. They are used to pump surface water from sumps, subways and building sites, for supply of industrial water, applications on board ships etc. The water jacket cooled motor with the top discharge protects the motor against overheating even during sip operation.

Installation: Transportable or permanent. Models with float switch control for automatic pump operation, depending on liquid level in the sump.

Pumped liquid: Clear water or drainage water with abrasive (e.g. sand) solids. Max. liquid temperature: 35°C, short term up to 60°C.

Operation: Intermittent.

Design

Fully submersible, compact integrated motor-pump unit consisting of:

Pump: Single stage centrifugal pump with vertical discharge.

Impeller: Open multi-channel impeller, spherical clearance 10 mm.

Motor: Fully submersible, pressure tight electric motor, oil-filled. Insulation class F. Motor protection IP 68. Cable connection chamber totally isolated from motor housing. All 1 phase models with thermal sensors embedded in motor winding.

Cable:

Model W: H07RN-F3G1
H502WA, H506WA: H07RN-F4G1
Model D: H07RN-F4G1
H508W: H07RN-F4G1
H508WA: H07RN-F5G1
H511: H07RN-F4G1,5

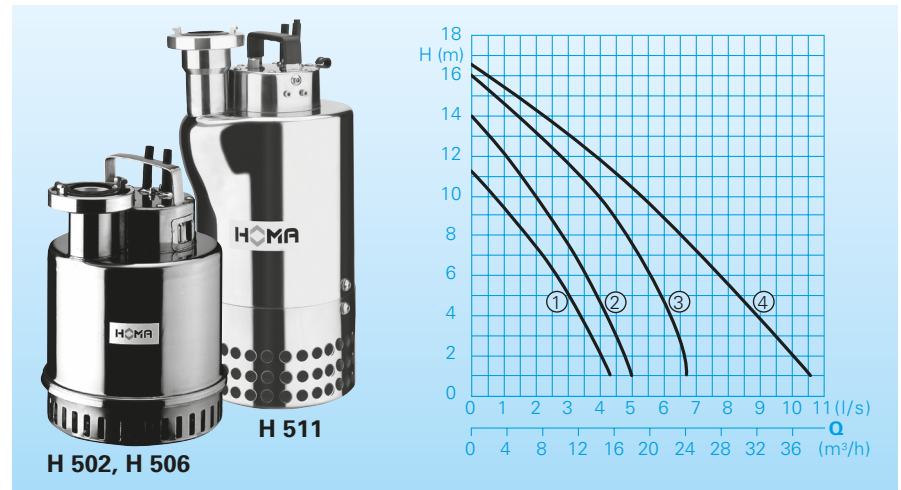
Shaft/Bearing: Large diameter stainless steel rotor shaft, pre-lubricated bearings.

Seals: Combination of mechanical seals with lip seal.

Equipment supplied

Models H502, H506, H508 and H511 with STORZ-fixed coupling (size C)
Model W (230 V/1 Ph):
H501-H508 Models with 10 m of cable,

Performances



Technical Data

Curve No.	Pump type	Motor P ₁ (kW)	P ₂ (kW)	Capacitor* (µF)	Nominal current (A)	Discharge	Weight (kg)
①	H501 W (A)	1,2	0,8		6,0	BSP 1½" F	9,0
①	H502 W (A)	1,2	0,8		6,0	BSP 1½" F	9,0
①	H502 D	1,2	0,8		2,2	BSP 1½" F	9,0
②	H505 W (A)	1,5	1,1		6,9	BSP 1½" F	11,0
②	H506 W (A)	1,5	1,1		6,9	BSP 1½" F	11,0
②	H506 D	1,5	0,9		2,7	BSP 1½" F	11,0
③	H508 W (A)	2,0	1,3	30	10,0	BSP 2" F	18,0
③	H508 D	2,0	1,1		3,5	BSP 2" F	18,0
④	H511 W (A)	3,0	1,9	40	13,5	BSP 2" F	25,0
④	H511 D	3,0	1,9		4,8	BSP 2" F	25,0

Speed: 2900 rpm

Model W: 230V/1Ph 50Hz

Model D: 400V/3Ph 50Hz

Model A: With automatic level control HOMA-Nivomatik

***Capacitor:** For the operation it is necessary to install a capacitor in the control box

H511 with 20 m cable. Models H501 and H505 supplied with cable and plug. Models H502 and H506 supplied with control box W01 fitted with overload protection, on-off-switch. Model H508 and H511 with control box W19 fitted with overload protection, on-off-switch and capacitor.

Model D (400 V/3 Ph): Supplied with control box D32 fitted with overload protection, control of direction of rotation, on-off-switch, 10 m of cable (H 502, H 506 and H 508) or 20 m of cable (H 511) and phase inverter

Model A: With additional automatic level control float switch. Models H502 WA and H506 WA with control box WA/01 and manual-auto-switch. Model

H508 WA with control box WA/19, manual-auto-switch and overload protection. Model H511 with control box WA/19, manual-off-switch and overload protection. Model DA with control box DA10/32 with AS-float switch.

Materials

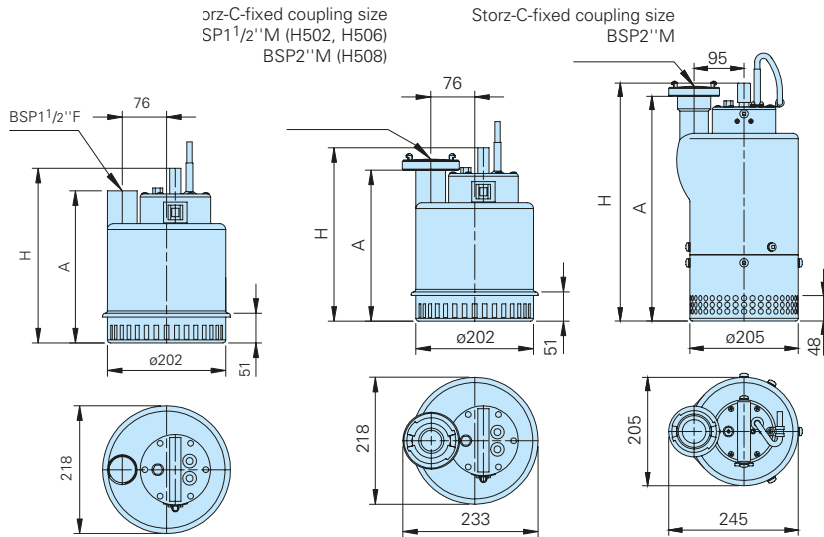
Motor housing	Stainless Steel
Impeller	Stainless Steel
Pump housing, Suction cover	Stainless steel, rubberized
H501-H508	
H511	Aluminium / Rubber
Mechanical seal steel	Carbon graphite/ Chrome
Seal kit	NBR

Dimensions and Installations (all dimensions in mm)

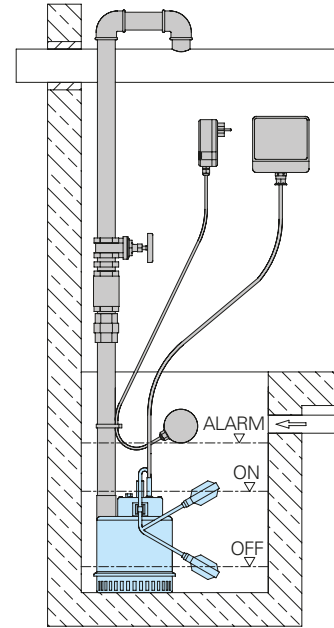
H 501, H 505

H 502, H 506, H 508

H 511



Permanent sump installation with pipe-work, level control, control box and additional alarm device.

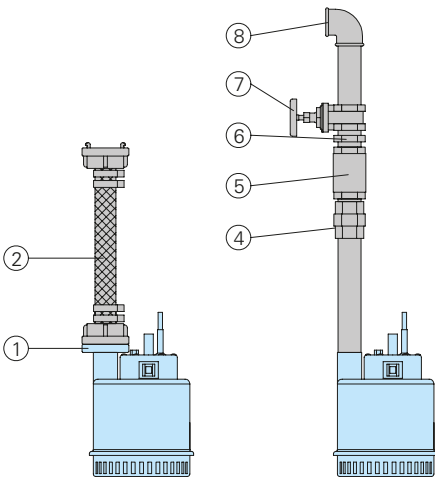


Typ	A	H
H 501 W / H 505 W	260	298
H 502 W+D / H 506 W+D	260	298
H 508 W+D	327	335
H 511 W+D	425	450

Accessories

Part Description	Dimension	Part No.
① STORZ-fixed coupling	C-BSP 1 1/2" M C-R BSP" M	2010003 equipment supplied
STA-hose and coupling	BSP 1 1/2" M	2001513
② PVC-hose, per m	1 1/2" Ø	2621500
Reinforced hose, per m	38 mm Ø 50 mm Ø	2632042 2632050
STORZ-hose coupling with spigot	C-38 mm C-52 mm	2013002 2013003
Synthetic pressure hose with rubber linings and couplings	10 m 15 m 20 m 30 m	2611310 2611315 2611320 2611330
Hose band	1 1/2" 2"	2304854 2306009
④ Galvanized pipe union	BSP 1 1/2" M/F BSP 2" M/F	2114305 2114311
⑤ Bronze non-return valve	BSP 1 1/2" F BSP 2" F	2211313 2211413
⑥ Double nipple	BSP 1 1/2" M BSP 2" M	2009020 2009018
⑦ Bronze gate valve	BSP 1 1/2" F BSP 2" F	2216015 2216020
⑧ 90° galvanized elbow	BSP 1 1/2" F BSP 2" F	2113605 2113606
T-piece for twin pump arrangement	BSP 1 1/2" F BSP 2" F	2114302 2114306

Part Description	Dimension	Part No.
○ HOMA-Nivomatik float switch level control, conversion kit		
- for 230-240 V/1Ph AZW 10/10	length 10 m	1435105
- for 400-415 V/3 Ph AZD 10/10	length 10 m	1914452
○ 2 poles earth leakage circuit breaker Fi 16/0,03 A		1561160
○ Alarm device AL 3 Mains-operated with connector for battery 9 V (see below) for mains-independent operation with integrated buzzer. Mains-connection 230-240 V/1 Ph		1586140
○ Battery for mains-independent operation		1952215
○ Float switch MB, mercury free, on or off, with integr. counter weight		
Cable length	6 m 10 m	1465706 1465710
○ Control panel for single or twin pump station for automatic operation		on request



① STORZ-fixed coupling	C-BSP 1 1/2" AG C-R BSP" AG	2010003 equipment supplied
STA-hose and coupling	BSP 1 1/2" AG	2001513



HOMA Pumpenfabrik GmbH
P.O. Box 22 63, D-53814 Neunk.-Seelscheid
Tel. +49 (0) 22 47/702-0, Fax +49 (0) 22 47/702-44
e-mail: info@homa-pumpen.de
www.homapumps.com