

Wear resistant submersible motor pumps for clear and drainage water.

H119, H121

Application

Irrigation and drainage assignments in clean or dirty water also containing abrasive sand or sludge. Application areas include water table drawdown, drainage of construction sites, subways or shafts, supply of industrial water, application on board ships, emergency deployment for flooding etc.

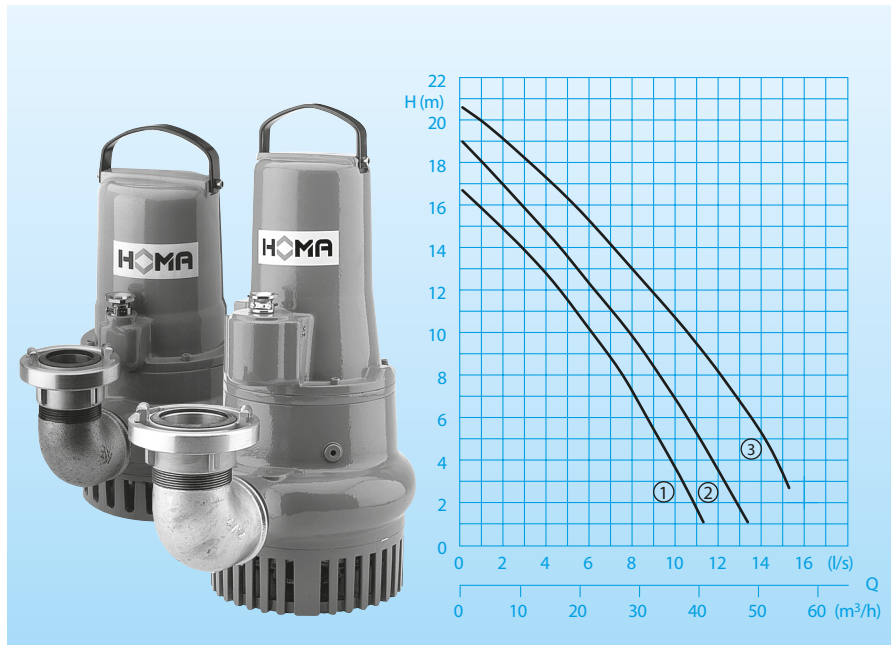
DIN EN 12050-2: Design tested and monitored.

Installation: Stationary or mobile. Version with float switch for use as automatic water level controlled drainage pump.

Pumped medium: Clear- or drainage water with abrasive (e.g. sandy) contents. Max. temperature of pumped medium: 40° C, for non-ex pumps brief periods up to 60° C.

Operating mode: Continuous operation (S1).

Conveying capacities



Design

Fully submersible pump, consisting of:

Pump: Single-stage centrifugal pump with horizontal discharge.

Impeller: Open multi-blade impeller, free passage 10 mm. The distance between impeller and casing can be readjusted to maintain maximum performance.

Motor: Fully submersible motor, sealed against pressurized water. Insulation class H, Protection rating IP 68.

Model W and Ex with thermal sensor in the winding for temperature monitoring. Connecting cable: H07RN8-F 4G1,5
Model Ex: H07RN8-F 6G1,5

Shaft/bearing: strongly dimensioned chrome steel motor shaft, lifetime-lubricated roller bearings, model H121 lower bearing double-row type.

Seal: Seal combination independent of direction of rotation in separate oil chamber. Oil control possible from the outside. H119 with 1 mechanical seal and 1 shaft seal. H121 with 2 mechanical seals.

Explosion protection: All pump types are also available in explosion-proof design according to ATEX Directive 2014/34/EU.

Technical data

| Curve No. | Pump type | Motor input P ₁ (kW) | Motor input P ₂ (kW) | Capacitor* (μF) | Nominal current (A) | Discharge | Weight (kg) |
|-----------|-----------------|---------------------------------|---------------------------------|-----------------|---------------------|-----------|-------------|
| ① | H119 WG(A) (Ex) | 1,6 | 1,2 | 30 | 7,8 | G2 | 26,0 |
| ② | H119 DG(A) (Ex) | 1,6 | 1,2 | | 2,9 | G2 | 26,0 |
| ③ | H121 D(A) (Ex) | 2,6 | 2,2 | | 4,5 | G2 1/2 | 40,0 |

Rotational speed: 2900 rpm

Model W: 230V/1Ph 50Hz

Model D: 400V/3Ph 50Hz

Model A: with automatic float switch HOMA-Nivomatik

Model Ex: explosion-proof

* **Capacitor:** for the operation it is necessary to install a capacitor into the switchgear.

Materials

| | |
|--|------------------------|
| Motor housing, pump housing, impeller, suction cover | Cast iron EN-GJL250 |
| Motor shaft, screws | Stainless steel |
| Mechanical seals | Silicon carbide |
| Elastomers | NBR |

Scope of supply

Pump with connection bend 90° and STORZ-fixed coupling Size C, Type H 121: Size B.
15 m Connecting cable, switchgear and mains plug.

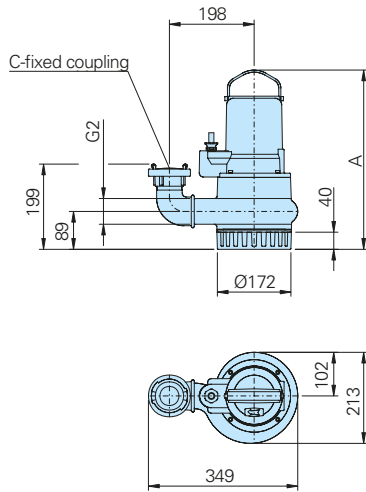
Model W (230 V/1 Ph):
With switchgear W19 /WT19, motor protection, capacitor, ON-OFF-switch and mains plug.

Model D (400 V/3 Ph):
With switchgear D32 / DT32, motor protection, rotation direction check, ON-OFF-switch and CEE-reversing plug.

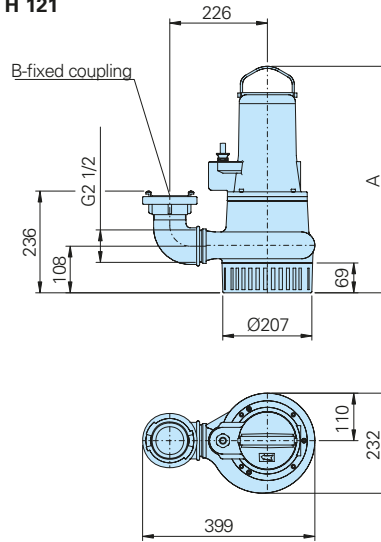
Model A: Additionally with automatic float switch HOMA-Nivomatik, switchgear WA15/19; DA15/32; DA15/12, AS-float Manual/Auto-switch.

Dimensions (all dimensions in mm)

H 119

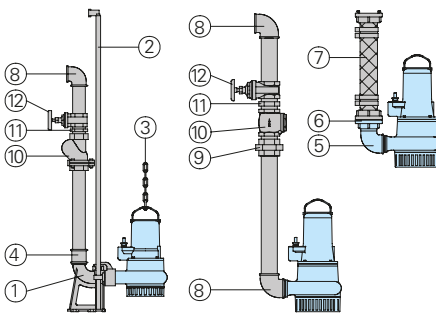


H 121



| Pump type | Dim. A |
|--------------|--------|
| H119 WG | 419 |
| H119 WG (Ex) | 426 |
| H119 DG | 419 |
| H119 DG (Ex) | 426 |
| H121 D (Ex) | 525 |

Accessories



| Description | Size | Part no. |
|---|----------------------------|--------------------|
| ① Automatic coupling system GG with mating flange – for H119, base elbow with thread, guide-tube bracket BSP½" KK50/BSP2" – for H121, base elbow with thread, guide-tube bracket BSP1" KK65/BSP2 ½" | BSP2"/BSP2" DN65/BSP2½" | 8604005 8604015 |
| ○ Coupling system completely or partly in stainless steel | all | on request |
| ○ Screw-Kits for fastening coupling systems | | on request |
| ○ Intermediate bracket for slide rail bracket extension | Ø ½" Ø 1" | 7320271 7323714 |

| Description | Size | Part no. |
|--|---------------|--|
| ② Guide rails for coupling kits (steel galvanized and stainless steel A2/A4) | | on request |
| ③ Pump chain sets, tested. With shackle, single or dual row, different lengths and load bearing capacities | | on request |
| ④ Double socket, galvanized | BSP2" F | 2109102 |
| Threaded flange | DN65/BSP 2 ½" | 2215060 |
| ⑤ 90° bend, galvanized | BSP 2" F/M | in scope of supply H 119 |
| | BSP 2 ½" F/M | in scope of supply H 121 |
| ⑥ STORZ-fixed-coupling | C-G 2" F | in scope of supply H 119 |
| | B-G 2 ½" F | in scope of supply H 121 |
| ⑦ Synthetic-pressure hose, with rubber lining, completely with STORZ-couplings | C – 52 mm Ø | 10 m long 2611310 15 m long 2611315 20 m long 2611320 30 m long 2611330 |
| | B – 75 mm Ø | 10 m long 2611210 15 m long 2611215 20 m long 2611220 30 m long 2611230 |
| STORZ-hose-coupling | C – 52 mm Ø | 2013003 |
| | B – 75 mm Ø | 2013502 |
| Plastic-spiral-hose, per m | Ø 50 mm | 2632050 |
| | Ø 75 mm | 2632075 |

| Description | Size | Part no. |
|--|---------------|--------------------|
| ○ Hose clamp | 2" | 2306009 |
| | 85/20 | 2308520 |
| STORZ-reducer | B-C | 2015423 |
| | A-B | 2015612 |
| Coupling spanner | A, B, C | 2016002 |
| ⑧ 90° bend, galvanized | BSP 2" F | 2113606 |
| | BSP 2 ½" F | 2113610 |
| ⑨ Transition screw connection, galvanized | BSP 2" M/F | 2114311 |
| | BSP 2 ½" M/F | 2114312 |
| ⑩ Non-return valve, brass | BSP 2" F | 2211413 |
| | BSP 2 ½" F | 2211513 |
| ⑪ Double nipple, galvanized | BSP 2" M | 2009018 |
| | BSP 2 ½" M | 2009025 |
| ⑫ Shut-off gate valve, brass | BSP 2" F | 2216020 |
| | BSP 2 ½" F | 2216025 |
| ○ HOMA-Nivomatik float switch level control conversion kit – for 230V/1Ph AZW 10/15 – für 400 V/3Ph AZD 10/15 | 15 m of cable | 1435155 1919452 |
| ○ Mains-dependent alarm control unit AL3 with connector for 9 V rechargeable battery (see below) for operation independent of mains power supply, with built-in signal transmitter, float switch and 10 m of cable. Main phase connection 230V/1Ph | | 1586141 |
| ○ 9 V rechargeable battery for mains-independent alarm | | 1952215 |
| ○ Fault-current circuit breaker 2-pin, Fi 16/0.03 A | | 1561160 |
| ○ For pump controllers and switchgears for mobile and stationary applications, measuring systems and monitoring devices, see HOMA accessories | | |



We reserve the right to alter our specifications without notice!