

**Stainless steel submersible motor pumps  
for chemically aggressive media.  
Free passage 10 mm.**

## CH432, CH436

### Application

Submersible motor pumps of the series CH 432, CH 436 convey corrosive and abrasive media, chemically aggressive drainage water as well as fluid chemicals containing solids up to 10 mm grain size. Areas of application are the disposal of aggressive waste water in industry and trade as well as the conveying of liquid chemicals in industrial processes. **DIN EN 12050-2:** Design tested and monitored.

**Installation:** Stationary or mobile.

**Pumped medium:** Drainage water with mechanically and chemically aggressive components. Liquid chemicals. PH value 3-14, for aggressive chemicals possibly lower, see resistance lists of the materials used. Max. temperature of pumped medium: 40° C, for non-ex pumps brief periods up to 60° C.

**Operating mode:** Continuous operation (S1).

### Design

Fully submersible pump, consisting of:

**Pump:** Single stage centrifugal pump with horizontal discharge.

**Impeller:** Open multi-blade impeller, free passage 10 mm.

**Motor:** Fully submersible motor, sealed against pressurized water. Insulation class H, Protection rating IP 68. Thermal sensor for temperature monitoring in the winding.

Connecting cable: H07RN8-F (PLUS)-6G1,5

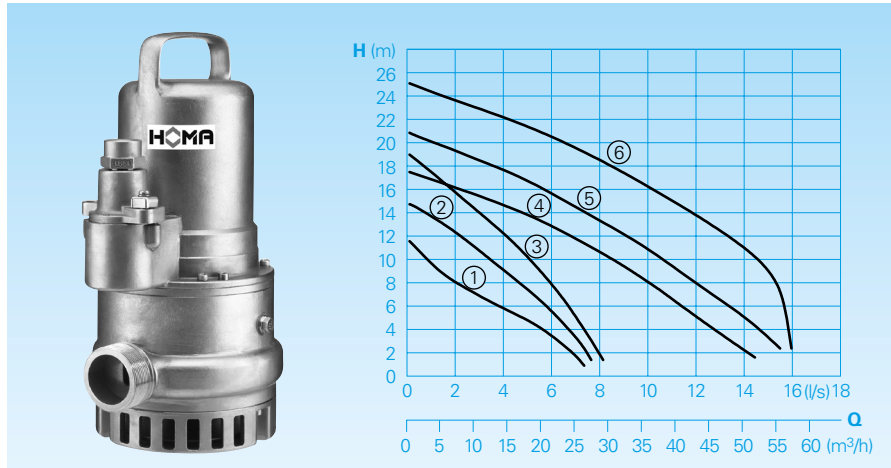
Model CH432W: H07RN8-F4G1,5 with cable protective hose and longitudinally tight cable trumpet.

**Shaft/bearing:** strongly dimensioned stainless steel motor shaft, lifetime-lubricated roller bearings

**Seal:** Combination of mechanical seal and radial seal (CH 432) or 2 mechanical seals (CH 436) independent of direction of rotation made of silicon carbide/silicon carbide and Viton in separate oil barrier chamber, independent of direction of rotation. Oil control from outside possible.

**Explosion protection:** All pump models are also available in EX version according to II 2 G Ex c d II BT4(T3).

### Conveying capacities



### Technical data

Curve No.	Pump type	Motor input P <sub>1</sub> (kW)	Motor input P <sub>2</sub> (kW)	Capacitor* (µF)	Nominal current (A)	Discharge	Weight (kg)
①	CH432-0,9/2 W (Ex)	0,9	0,7	25	5,3	G2	28,0
②	CH432-1,3/2 W (Ex)	1,3	1,0	25	6,6	G2	28,0
③	CH432-1,7/2 W (Ex)	1,7	1,3	30	7,9	G2	28,0
①	CH432-0,9/2 D (Ex)	0,9	0,7		2,1	G2	28,0
②	CH432-1,2/2 D (Ex)	1,2	0,9		2,3	G2	28,0
③	CH432-1,6/2 D (Ex)	1,6	1,2		2,8	G2	28,0
④	CH436-1,9/2 D (Ex)	1,9	1,5		4,0	G2 1/2	40,0
⑤	CH436-2,4/2 D (Ex)	2,4	1,9		4,6	G2 1/2	40,0
⑥	CH436-3,5/2 D (Ex)	3,5	2,8		5,8	G2 1/2	52,0

**Rotational speed:** 2800 rpm

**Model W:** 230V/1Ph 50Hz

**Model D:** 400V/3Ph 50Hz

**Model Ex:** Explosion-proof

\* **Capacitor:** for the operation it is necessary to install a capacitor into the switchgear. (available as accessories).

### Materials

Pump housing, motor housing, impeller	Stainless steel 1.4436
Motor shaft	Stainless steel 1.4462
Mechanical connection parts	Stainless steel 1.4571
O-rings	FPM (Viton)
Mechanical seals	SiC/SiC, FPM (Viton)
Shaft sealing ring	FPM (Viton)
Cable protective hose	Polyolefin

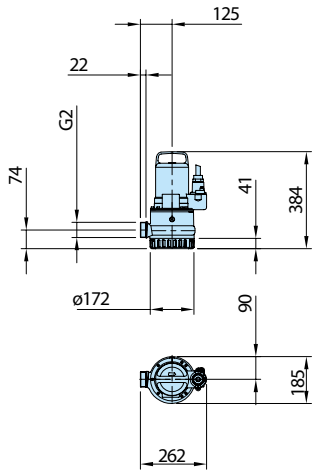
### Scope of supply

Pump with 10 m of connecting cable, 5 m cable protective hose, loose cable end. Possible switchgears available as accessories:

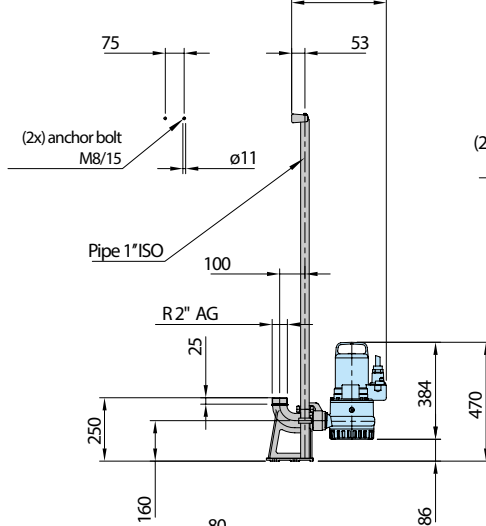
Model W:	W19; WA10/19
WEx:	WT19
Model D:	DT32; DA10/32
DEx:	DT32

**Dimensions and installation example** (all dimensions in mm)

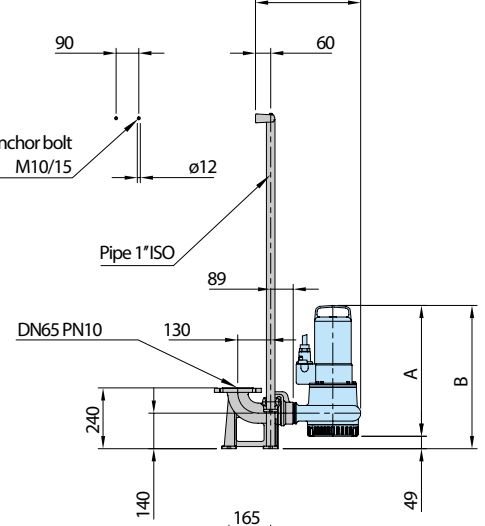
**CH432**



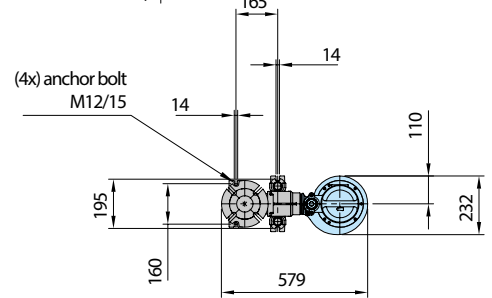
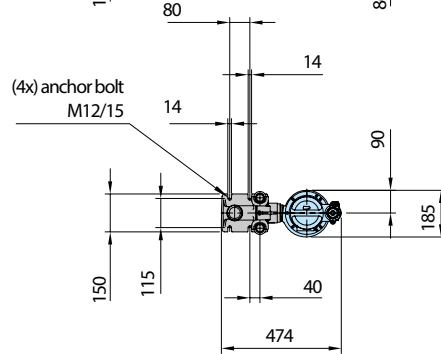
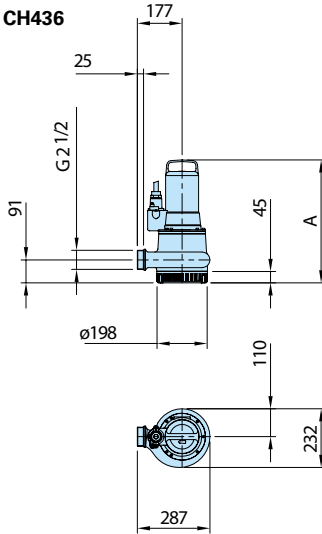
**CH432  
KKC50 / BSP 2" - VA**



**CH436  
KKC65 / BSP 2 1/2" - VA**

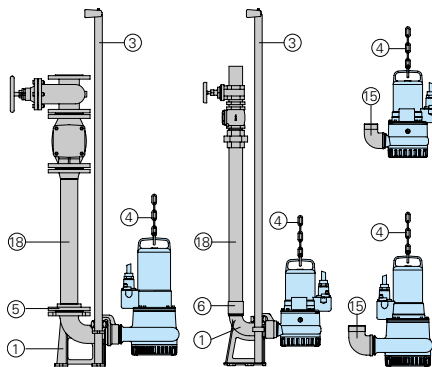


**CH436**



Pump type	Dim. A	Dim. B
CH436-1,9/2D(Ex)	486	535
CH436-2,4/2D(Ex)	486	535
CH436-3,5/2D(Ex)	517	566

**Accessories**



Description	Size	Part no.
① Automatic coupling system VA with coupling base elbow, coupling mating flange and slide rail bracket		
- Type KKC 50/ BSP 2" BSP2"/ BSP2"		8604011
- Type KKC 65/ BSP 2 1/2" DN 65/ BSP2 1/2"		8604017
○ Coupling system completely or partly in stainless steel	all	on request
○ Screw-kits for fastening coupling systems		on request
○ Intermediate bracket for slide rail bracket extension	Ø 1" for KKC50 Ø 1" for KKC65	7323714 7322085
③ Guide rails for coupling kits (steel galvanized and stainless steel A2/A4)		on request

Description	Size	Part no.
④ Pump chain sets, tested. With shackle, single or dual row, different lengths and load bearing capacities		on request
⑤ Threaded flange, stainless steel	DN 50, PN16 DN 65, PN16	2215112 2215115
⑥ Double socket	BSP2" F	2216042
⑤ Connection bend 90°, stainless steel 1.4401	BSP2" F/M BSP2 1/2" F/M	2111825 2111826
⑧ Pressure pipeline and fittings made of stainless steel or plastic		on request
○ For pump controllers and switchgears for mobile and stationary applications, measuring systems and monitoring devices,		see HOMA accessories



We reserve the right to alter our specifications without notice!