

Flat suction submersible drainage pump for clear- and drainage water

Chromatic C240 W Flat

Application

Pump for conveying clean or lightly soiled water. For low level suction down to a level of approx. 2 mm. Cellar draining, keeping trenches, shafts and rooms dry. Drainage water disposal in cellar rooms (e.g. washbasins, showers, washing machines). Draining of reservoirs. Emergency deployment for flooding. A cooling jacket with discharge connector at the top ensures sufficient motor cooling even at low water level (sip operation).

Installation: Stationary or mobile.

Pumped medium: Clear- or drainage water containing solids up to 3 mm particle size.

Max. temperature of pumped medium: 35°C, for brief periods up to 60°C.

Operating mode: Continuous operation (S1), at medium temperature 36- 60°C: Intermittent operation (S3 30%).

Design

Submersible pump, consisting of:

Pump: Single-stage centrifugal pump with vertical discharge.

Impeller: Open multi-blade impeller, free passage 3 mm.

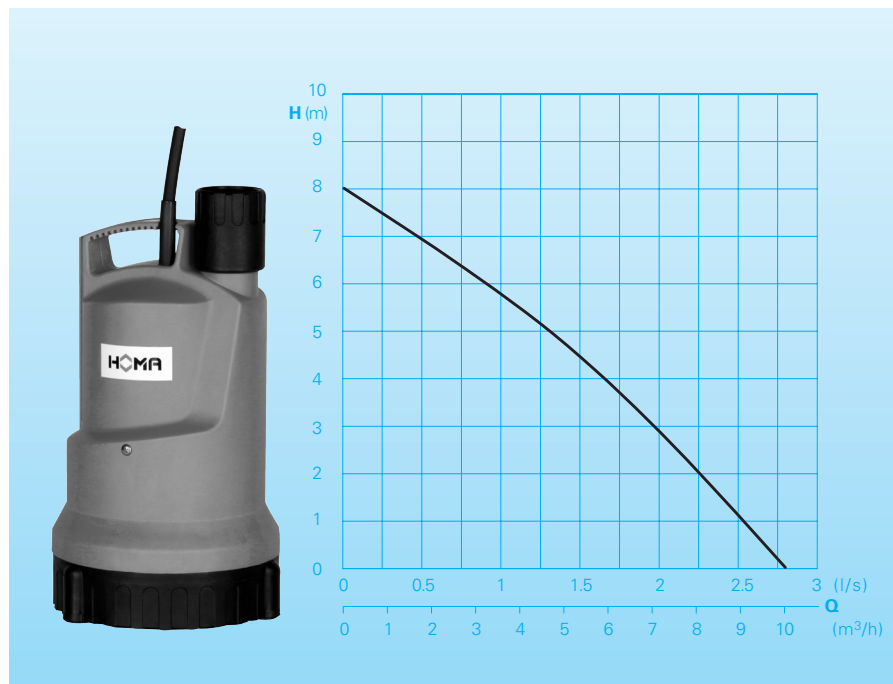
Motor: Pressure watertight, medium-immersed motor. Stainless steel motor housing. Insulation class B, protection rating IPX8. Thermal sensor for temperature monitoring in the winding.

Connecting cable: H07RN8-F 3G1.

Shaft/bearing: strongly dimensioned chrome steel motor shaft, lifetime-lubricated roller bearings.

Seal: Shaft seal with triple radial shaft seal and ceramic-coated sealing surface.

Conveying capacity



Technical data

Pump type	Motor input		Voltage 50 Hz (V)	Nominal current (A)	Weight (kg)
	P ₁ (kW)	P ₂ (kW)			
C240 W Flat	0,50	0,25	230/1Ph	2,2	5,0

Rotational speed: 2850 rpm

Discharge: G1 1/4

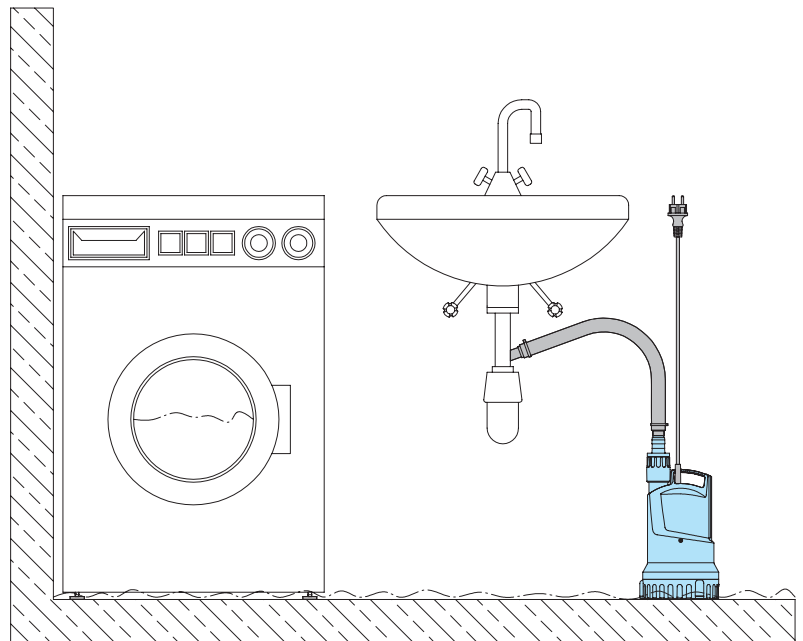
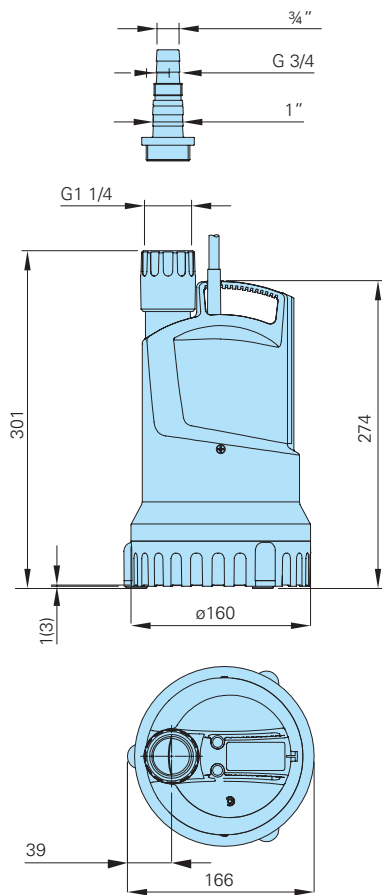
Materials

Motor housing, motor shaft, screws	Stainless steel
Suction sieve, outer housing, impeller, pressurized lid	impact-resistant plastic
Elastomers	NBR

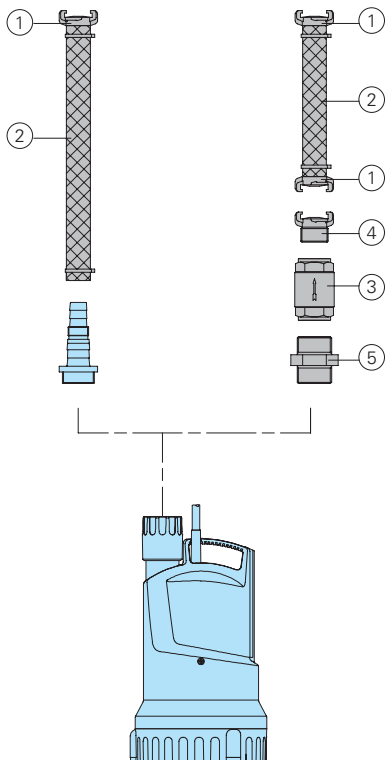
Scope of supply

Pump with twin box G 1¼ inc. washers and hose connection, 10 m of connecting cable and mains plug.

Dimensions and installation example (all dimensions in mm)



Accessories



Description	Size	Part no.
① Hose coupling, Brass	1"	2003313
	3/4"	2003213
② PVC-hose, per m	1" Ø 25 mm	2621000
	3/4" Ø 19 mm	2620700
Plastic spiral hose, per m	1" Ø 25 mm	2632025
	3/4" Ø 19 mm	2632019
Hose clamp	3/4" - 1"	2302330
③ Check valve, brass	BSP1 1/4"	2009027
④ Fixed coupling, brass	BSP1 1/4"	2005413
⑤ Double nipple, brass	BSP1 1/4"	2009019
○ Fault-current circuit breaker 2-pin, Fi 16/0.03 A		1561160

We reserve the right to alter our specifications without notice!