

## Stainless steel submersible drainage pumps for chemically aggressive liquids. Spherical clearance 50 – 70 mm.

### CTP 50, CTP 53, CTP 70

#### Application

HOMA CTP stainless steel submersible drainage pumps are suitable for pumping corrosive, abrasive or chemically aggressive liquids, waste water or sewage and chemicals containing soft solids of 50 - 70 mm diameter. They are used in various domestic, industrial or municipal applications.

DIN EN 12050-2: Conformity and design approved and controlled by LGA, certificate No. 0220119.

Installation: Transportable or permanent.

Pumped liquid: Drainage water or sewage containing soft solids and chemically aggressive liquids.

Max. liquid temperature: 40°C, short term up to 60°C.

Operation: Permanent (S1).

#### Design

Fully submersible, compact integrated motor-pump unit consisting of:

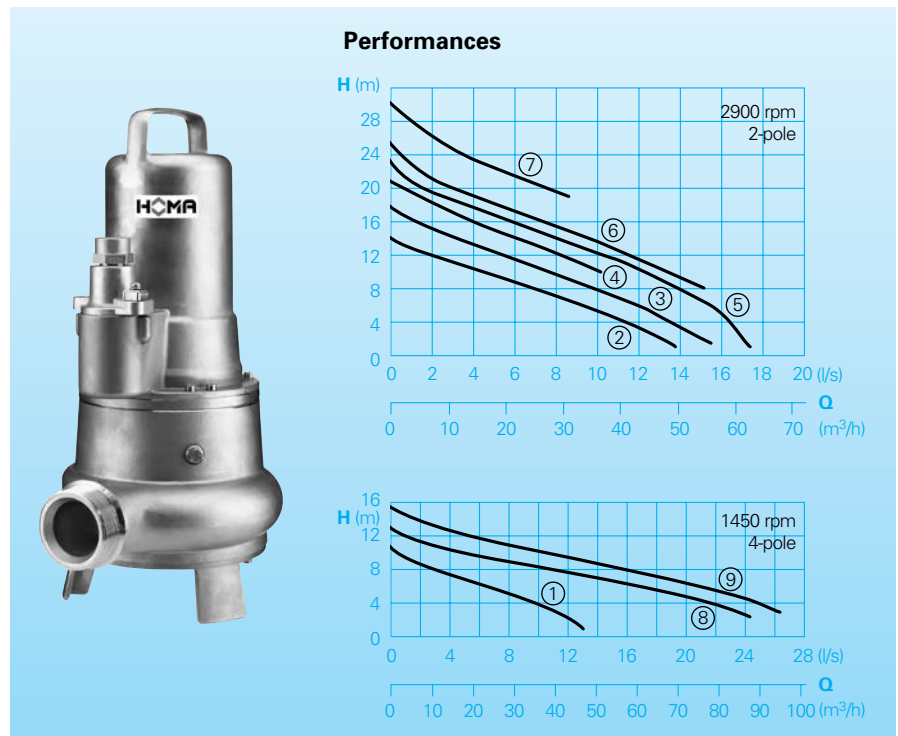
Pump: Single stage centrifugal pump with horizontal discharge.

Impeller: Closed single channel impeller for liquids containing impurities and sludge with solid particles. Spherical clearance 50 and 70 mm.

Motor: Fully submersible, pressure tight electric motor. Insulation class H. Degree of protection IP 68. Thermal sensor embedded in the winding. Cable: H07 RN-F (Plus) 6G1,5 with cable protective hose and longitudinally tight cable trumpet. Explosion proof motors according to II G EEX d II BT4.

Shaft/Bearing: Large diameter stainless steel rotor shaft, pre-lubricated bearings.

Seals: Combination of two mechanical seals (silicon-carbide/ silicon-carbide) in separate oil chamber. Oil inspection from outside.



#### Technical Data

Curve No.	Pump type	Motor input P <sub>1</sub> (kW)	Motor output P <sub>2</sub> (kW)	Speed (rpm)	Nominal current (A)	Spherical clearance (mm)	Discharge	Weight (kg)
①	CTP 50 (53) M 13/4 D (Ex)	1,3	1,0	1450	2,6	50	BSP2 1/2" (3") M	39
②	CTP 50 (53) M 19/2 D (Ex)	1,9	1,5	2800	4,0	50	BSP2 1/2" (3") M	39
③	CTP 50 (53) M 23/2 D (Ex)	2,3	1,8	2800	4,4	50	BSP2 1/2" (3") M	39
④	CTP 50 (53) M 24/2 D (Ex)	2,4	1,9	2800	4,6	50	BSP2 1/2" (3") M	39
⑤	CTP 50 (53) M 34/2 D (Ex)	3,4	2,8	2800	6,9	50	BSP2 1/2" (3") M	51
⑥	CTP 50 (53) M 35/2 D (Ex)	3,5	2,8	2800	7,1	50	BSP2 1/2" (3") M	51
⑦	CTP 50 (53) M 35/2 HD (Ex)	3,5	2,8	2800	7,1	50	BSP2 1/2" (3") M	51
⑧	CTP 70 M 26/4 D (Ex)	2,5	2,0	1450	5,4	70	DN 80	65
⑨	CTP 70 M 31/4 D (Ex)	3,2	2,5	1450	6,1	70	DN 80	65

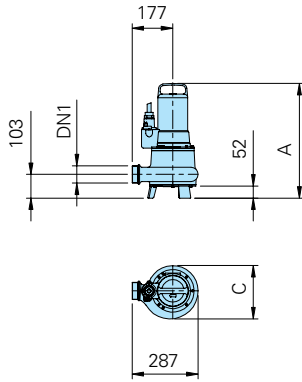
Voltage: 400-415 V / 3 Ph

Model Ex: explosion proof

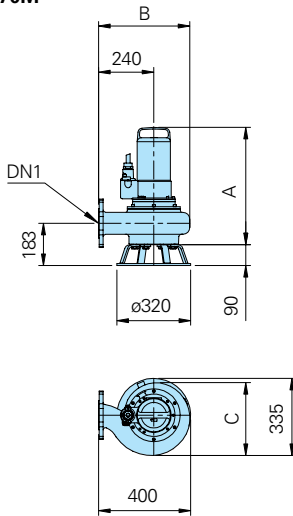
Materials:		Equipment supplied
Pump housing, motor housing	Stainless steel 1.4436	Pumps with base stand, 10 m of cable, 5 m cable protective hose. Control boxes DT32; DA10/32; DA 10/12; DZ12 available as accessories.
Rotor shaft, wear ring mechanical connection parts	Stainless steel 1.4571	
O-Rings	FPM (Viton)	
Mechanical seals	SiC / SiC, FPM (Viton)	
Cable protective hose	Polyolefine	
Impeller		
CTP 50, CTP 53	Stainless steel 1.4436	
CTP 70	Stainless steel 1.4571	

## Dimensions and Installations

### CTP50M CTP53M

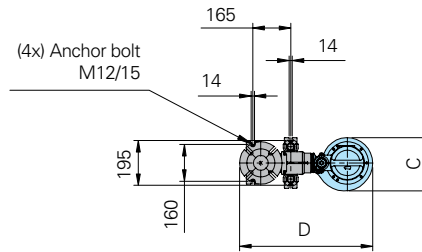
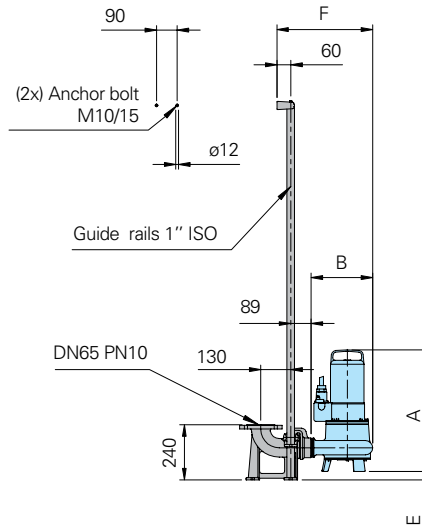


### CTP70M

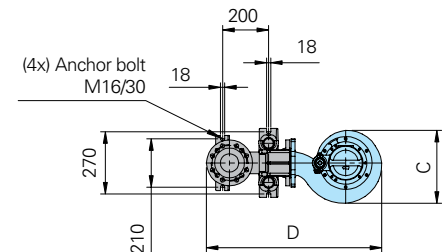
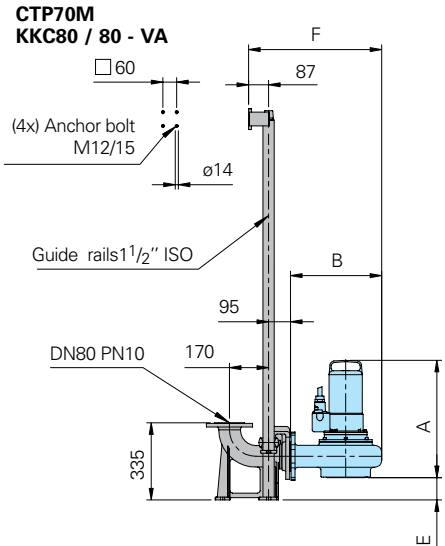


all dimensions in mm

### CTP50M KKC65 / BSP 2 1/2" - VA

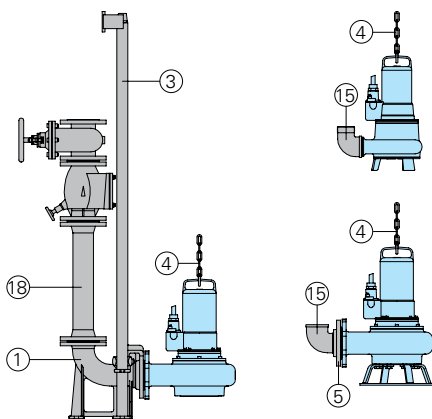


### CTP53M KKC80 / BSP 3" - VA



Pump type	DN1	A max	B	C	D	E	F
CTP 50 M 13/4 D (EX)	BSP 2 1/2" M	498	267	232	579	37	416
CTP 50 M (19-24)/2 D (EX)	BSP 2 1/2" M	498	267	232	579	37	416
CTP 50 M (34-35)/2 D (EX)	BSP 2 1/2" M	529	267	232	579	37	416
CTP 50 M 35/2 HD (EX)	BSP 2 1/2" M	529	267	232	579	37	416
CTP 53 M 13/4 D (EX)	BSP 3" M	498	291	232	656	87	473
CTP 53 M (19-24)/2 D (EX)	BSP 3" M	498	291	232	656	87	473
CTP 53 M (34-35)/2 D (EX)	BSP 3" M	529	291	232	656	87	473
CTP 53 M 35/2 HD (EX)	BSP 3" M	529	291	232	656	87	473
CTP 70 M (26-31)/4 D (EX)	DN80 PN10	511	397	317	762	97	579

## Accessories



Part Description	Dimension	Part No.
① Auto-coupling system from stainless steel 1.4436, consisting of auto coupling with flange, flange pump coupling and upper slide rail bracket		
- Type KKC 65/R2 1/2"	DN 65/BSP2 1/2"	8604017
- Type KKC 80/R3"	DN 80/BSP3"	8604037
- Type KKC 80/80	DN 80	8604027
○ Auto-coupling system complete or partial in stainless steel	all types	on request
○ Screw-kits for installation of coupling system		on request
③ Guide rails, stainless steel 1.4571, dia.1" for KKC65	2190252	
dia.1 1/2" for KKC80	2190254	

Part Description	Dimension	Part No.
④ Lifting chain, stainless steel 1.4401, 5 mm dia.		2800351
per m	8 mm dia.	2800382
Shackle, for chain stainless steel 1.4401	5 mm dia.	2801450
8 mm dia.		2801390
⑤ Threaded flange, stainless steel 1.4571	DN 65/BSP2 1/2" F	2215115
	DN 80/BSP3" F	2215120
⑮ Elbow 90°, stainless steel 1.4401	BSP2 1/2" F/M	2111826
	BSP3" F/M	2111827
⑯ Stainless steel or plastic discharge pipe and fittings		on request
○ Pump controls and control panels for permanent or transportable installation, level controllers and monitoring devices		see HOMA-accessories



HOMA Pumpenfabrik GmbH  
 P.O.Box 22 63, D-53814 Neunk.-Seelscheid  
 Tel. +49 (0) 22 47/702-0, Fax +49 (0) 22 47/702-44  
 e-mail: info@homa-pumpen.de  
 www.homapumps.com