

**Jacket cooled submersible drainage pump
for clear water and drainage water.
Spherical clearance 20 mm.**

CR 360 V

Application

For irrigation and drainage in clear or drainage water. Cellar drainage, pumping water from sumps, pits and rooms. Also suitable for pumping discharge from hand basins, showers and washing machines, for flood relief and water removal from water courses or reservoirs.

The water jacket cooled motor with the top discharge protects the motor against overheating even during sip operation.

DIN EN 12050-2: Conformity and design approved and controlled by LGA, Certificate No. 0220119.

Installation: Permanent or transportable. Model with float switch control for automatic pump operation, depending on liquid level in the sump.

Pumped liquid: Clear water and drainage water containing soft solids up to 20 mm spherical clearance. Max. liquid temperature: 35°C, short term up to 60°C.

Operation: Intermittent.

Design

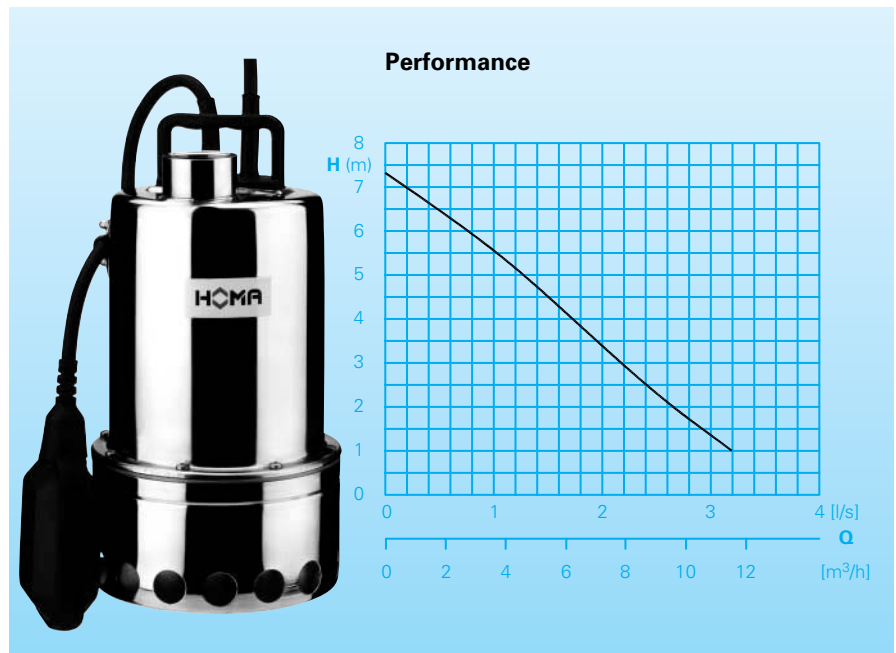
Fully submersible, compact integrated motor-pump consisting of:

Pump: Single stage stainless steel centrifugal pump with cooling jacket and vertical discharge BSP 1 1/4" F.

Impeller: Vortex impeller, spherical spherical clearance 20 mm.

Motor: Fully submersible, pressure tight electric motor. Stainless steel motor and pump housing. Insulation class B. Motor protection IP 68. Thermal sensors imbedded in the motor winding.

Shaft seal: Combination of mechanical seal with lip seal.



Technical Data

Pump type	Motor-input P1 (kW)	Motor-output P2 (kW)	Voltage 50 Hz (V)	Nominal current (A)	Cable type	Weight (kg)
CR 360 VV(A)	0,63	0,45	230-240/1Ph	2,9	H05RN-F3G1	6,9

Speed: 2900 rpm

Discharge: BSP 1 1/4"F

Model A: With automatic level control HOMA-Nivomatik

Materials:

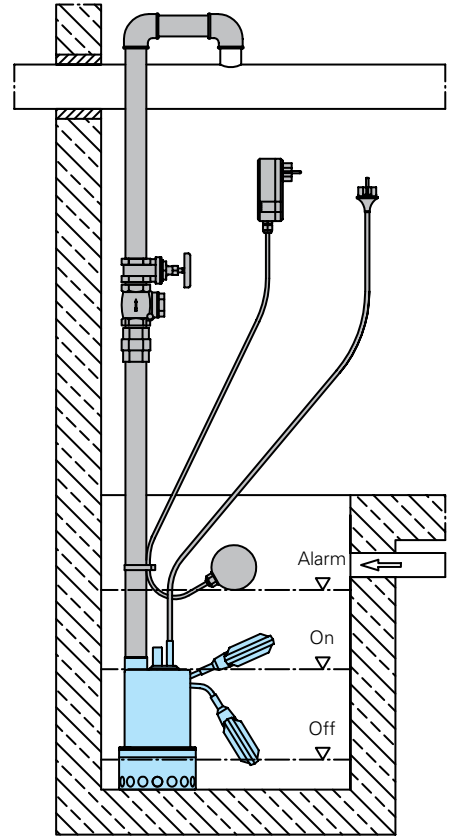
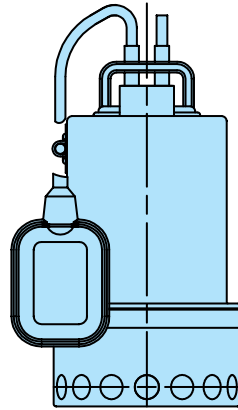
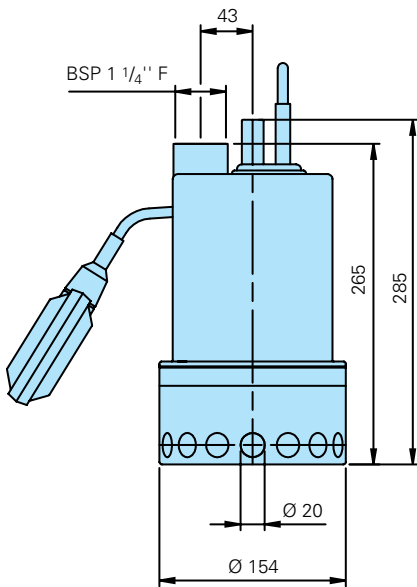
Motor housing, rotor shaft, Pump housing, screws, suction sieve, impeller	Stainless steel 1.4301
Mechanical seal	Carbon-graphite/ chrome-steel
Seal kit	NBR

Equipment supplied

Pump with 10 m of cable and plug.

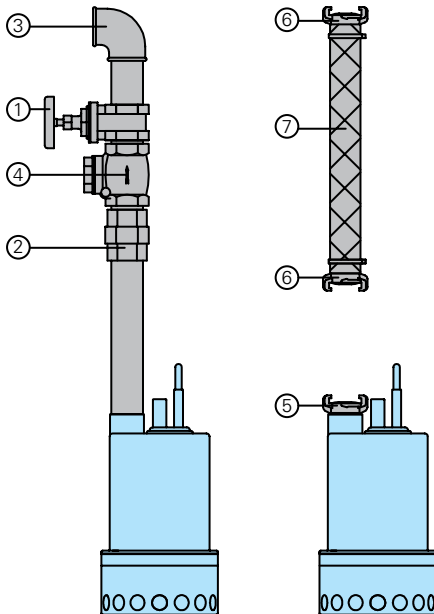
Model A: With automatic level control HOMA-Nivomatik.

Dimensions and Installations



all dimensions in mm

Accessories



Part Description	Dimension	Part. No.
① Bronze gate valve	BSP 1 1/4" F	2216012
② Galvanized pipe union	BSP 1 1/4" M/F	2114304
③ 90° galvanized elbow	BSP 1 1/4" F BSP 1 1/4" F/M	2113604 2111405
T-piece for twin pump arrangement	BSP 1 1/4" F	2114301
④ Bronze non-return valve	BSP 1 1/4" F	2211213
○ Galvanized double nipple	BSP 1 1/4" M	2009011
⑤ Brass fixed coupling	BSP 1 1/4" M	2005413
⑥ Brass hose coupling	BSP 1" / BSP 1 1/4"	2003313 / 2003413
⑦ PVC hose, per m	1" Ø / 1 1/4" Ø	2621000 / 2621200
Reinforced hose, per m	1" Ø / 1 1/4" Ø	2632025 / 2632030
Hose band	3/4" - 1" / 1 1/4"	2302330 / 2303252

Part Description	Dimension	Part. No.
○ HOMA-Nivomatik float switch level control, conversion unit - for 230-240 V/1 Ph		
AZW 10/5	5 m of cable	1435055
AZW 10/10	10 m of cable	1430105
○ HOMA 2 poles earth leakage circuit breaker Fi 16/0,03 A		1561160
○ Alarm device AL 3 Mains operated with connector for battery 9V (see below) for mains independent operation with integrated buzzer. Mains connection 230-240 V/ 1 Ph		1586140
Battery for mains-independent operation 9 V		1952215
Float switch MB, mercury free, on or off, with integrated counter weight.		
Cable length	6 m / 10 m	1465706 / 1465710
○ Control panel for single or twin pump station for automatic operation		On request

HOMA
P U M P T E C H N O L O G Y

HOMA Pumpenfabrik GmbH
P.O. Box 22 63, D-53814 Neunk.-Seelscheid
Tel. +49(0)22 47/702-0, Fax +49(0)22 47/702-44
e-mail: info@homa-pumpen.de
www.homapumps.com